

SERVICE PARTS LIST FOR MITSUBISHI ELECTRIC PACKAGED AIR-CONDITIONERS

Series : PEFY-P•VMH-E

REVISED

May 2009

BWE0407C

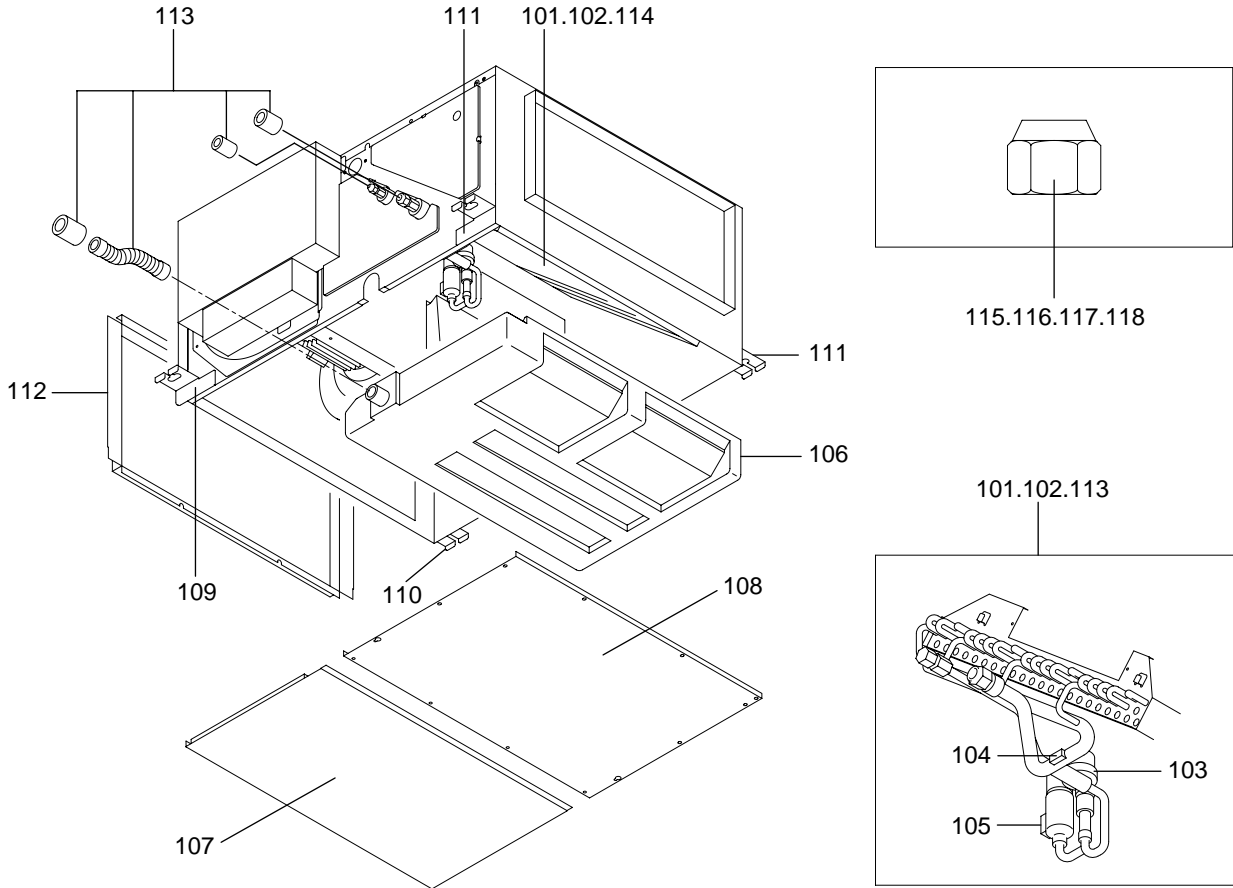
INDEX

**PEFY-P40VMH-E
PEFY-P50VMH-E
PEFY-P63VMH-E
PEFY-P71VMH-E
PEFY-P80VMH-E
PEFY-P100VMH-E
PEFY-P125VMH-E
PEFY-P140VMH-E
PEFY-P200VMH-E
PEFY-P250VMH-E**



PEFY-P40VMH-E
 PEFY-P50VMH-E
 PEFY-P63VMH-E

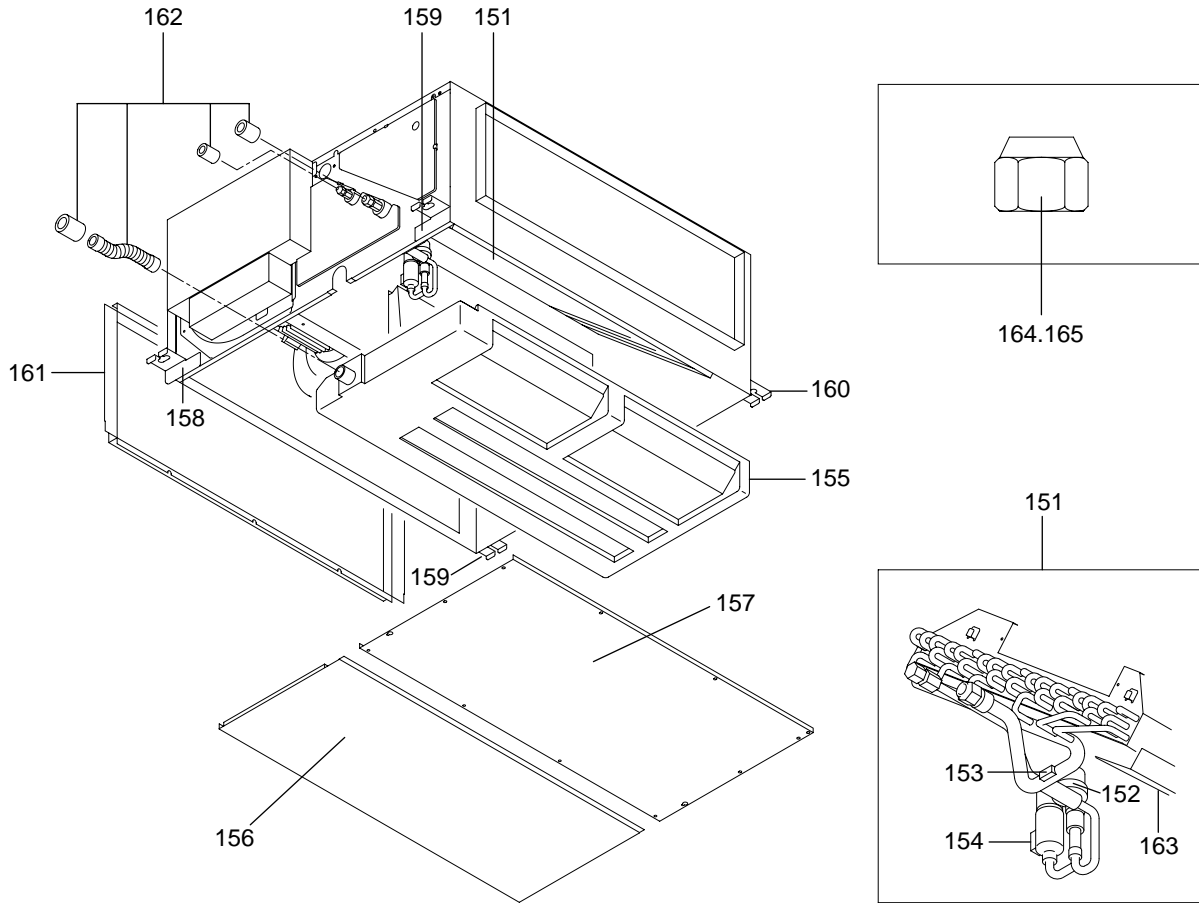
EXTERNAL PARTS (1)



No.	Part No.	G : RoHS Apply Only W : RoHS Apply by Running Change		Spec.	PEFY-P40VMH-E	PEFY-P50VMH-E	PEFY-P63VMH-E			Dwg. No.	Price	Revision History
			Part Name									
101	R63 S38 480	G	Heat exchanger		1					W275136G96		C
102	R61 298 480	G	Heat exchanger			1				W275136G97		C
103	R63 S38 401	G	Linear expansion valve	EDM4 XH	1	1	1			P632407X02		C
104	R63 358 203	G	Thermistor	(gas)	1	1	1			P425458X02		
105	R63 358 202	G	Thermistor	(liquid)	1	1	1			P425459X02		
106	R61 037 529	G	Drain pan		1	1	1			W122290G35		C
107	R63 F85 661	G	Bottom plate assy		1	1	1			W627491G04		
108	R63 F92 661	G	Bottom plate A		1	1	1			W628696G07		
109	R63 F85 326	G	Hanging metal fittings D		1	1	1			W398771H03		C
110	R63 F86 326	G	Hanging metal fittings D		2	2	2			W398771H04		
111	R63 H42 326	G	Hanging metal fittings D		1	1	1			W871827G01		C
112	R63 F85 457	G	Flange		1	1	1			W627459G04		
113	R63 S38 526	G	Drain hose set		1	1	1			W650735G02		
114	R63 Y79 481	G	Heat exchanger				1			W275136G98		C
115	R63 7G9 122	G	Flare nut	(gas) Ø12.7(1/2)	1	1				BG12S008H01		C
116	R63 8G1 122	G	Flare nut	(gas) Ø15.88(5/8)			1			BG12S826H01		C
117	R63 1E3 122	G	Flare nut	(liquid) Ø6.35(1/4)	1	1				S551001H06		C
118	R63 8G0 122	G	Flare nut	(liquid) Ø9.52(3/8)			1			Z211A143H06		C

PEFY-P71VMH-E
PEFY-P80VMH-E

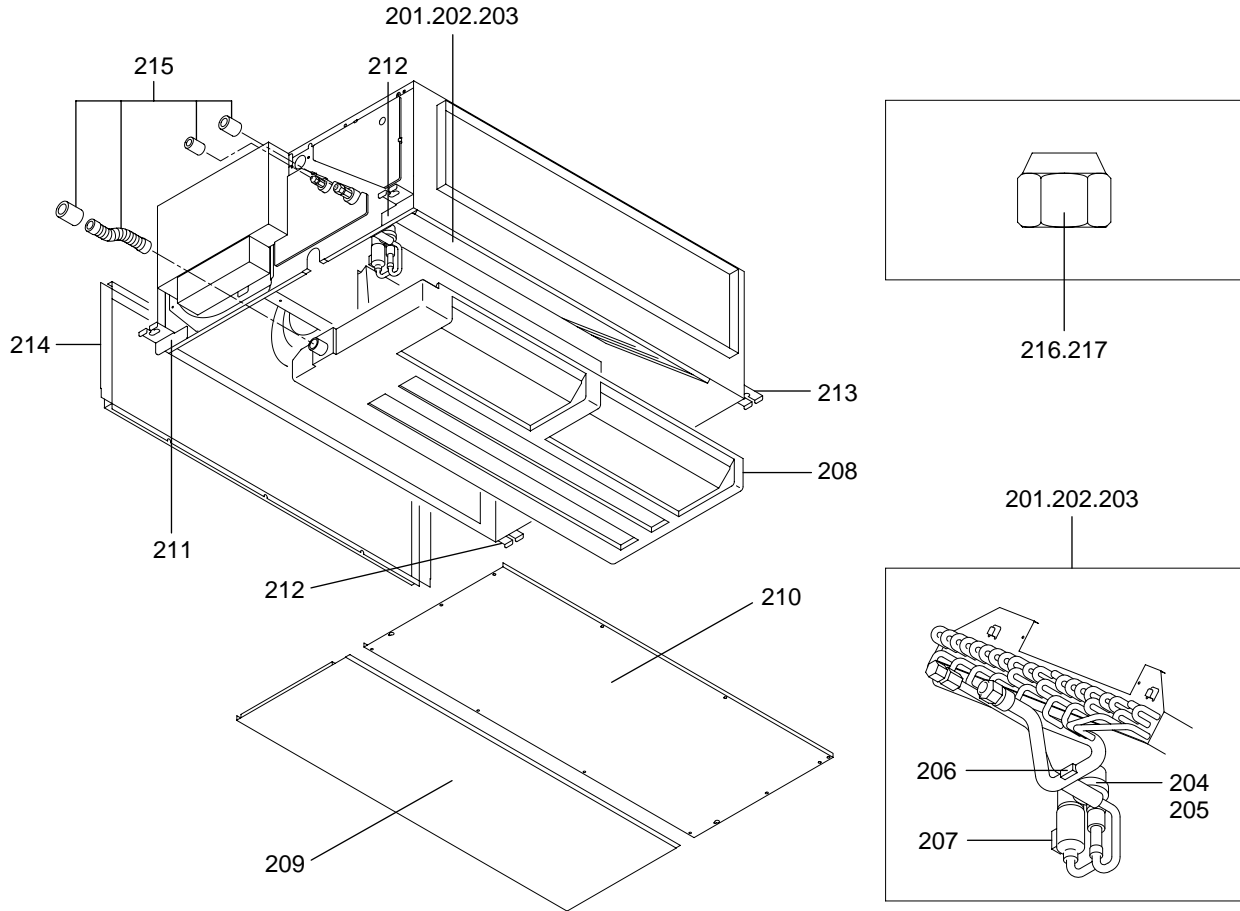
EXTERNAL PARTS (2)



No.	Part No.	G : RoHS Apply Only W : RoHS Apply by Running Change		Spec.	PEFY-P71VMH-E	PEFY-P80VMH-E				Dwg. No.	Price	Revision History
			Part Name									
151	R63 S41 480	G	Heat exchanger		1	1				W275136G99		C
152	R63 R22 401	G	Linear expansion valve	EDM8 XH	1	1				P632410X02		C
153	R63 358 203	G	Thermistor	(gas)	1	1				P425458X02		
154	R63 358 202	G	Thermistor	(liquid)	1	1				P425459X02		
155	R61 039 529	G	Drain pan		1	1				W122290G36		C
156	R63 F88 661	G	Bottom plate		1	1				W627491G05		
157	R63 F94 661	G	Bottom plate A		1	1				W628696G08		
158	R63 F85 326	G	Hanging metal fittings D		1	1				W398771H03		C
159	R63 F86 326	G	Hanging metal fittings D		2	2				W398771H04		
160	R63 H42 326	G	Hanging metal fittings D		1	1				W871827G01		C
161	R63 F88 457	G	Flange		1	1				W627459G05		
162	R63 S38 526	G	Drain hose set		1	1				W650735G02		
163	R61 025 667	G	Partition board		1	1				W868141G02		C
164	R63 8G1 122	G	Flare nut	(gas) Ø15.88(5/8)	1	1				BG12S826H01		C
165	R63 8G0 122	G	Flare nut	(liquid) Ø9.52(3/8)	1	1				Z211A143H06		C

PEFY-P100VMH-E
 PEFY-P125VMH-E
 PEFY-P140VMH-E

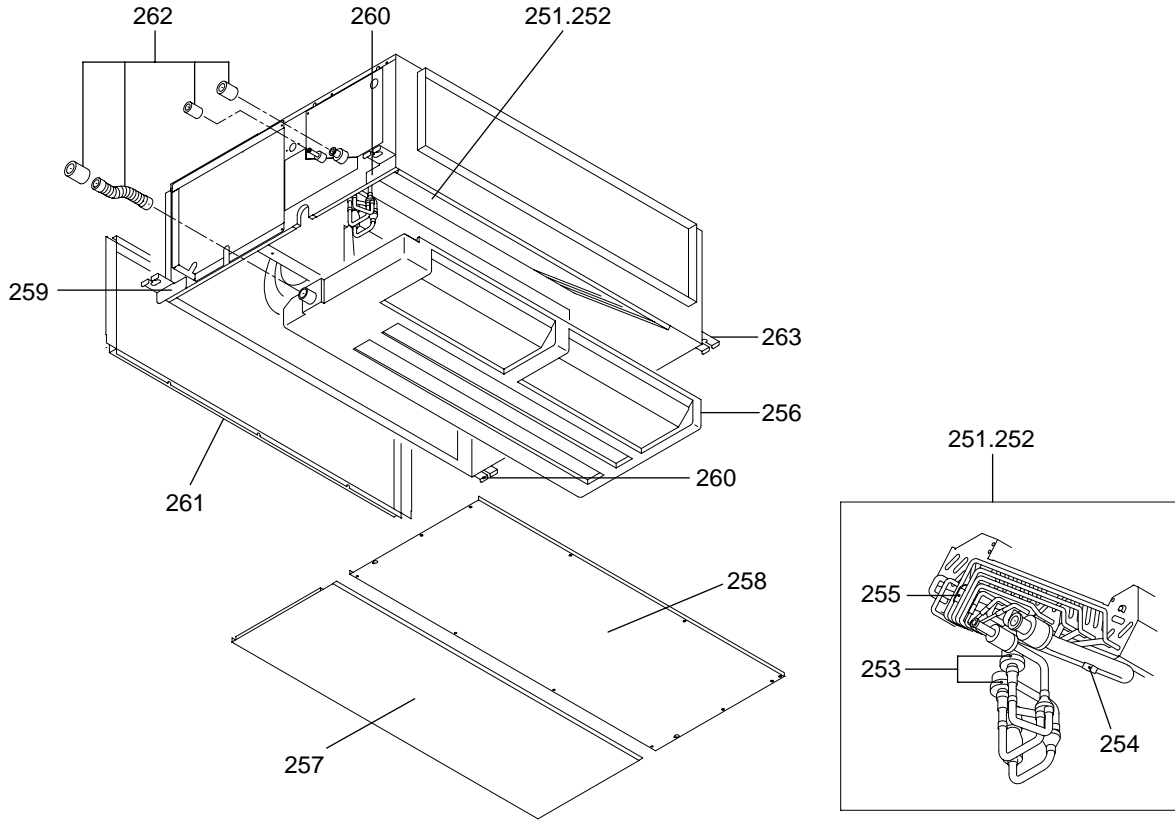
EXTERNAL PARTS (3)



No.	Part No.	G : RoHS Apply Only W : RoHS Apply by Running Change		Spec.	PEFY-P100VMH-E	PEFY-P125VMH-E	PEFY-P140VMH-E			Dwg. No.	Price	Revision History
			Part Name									
201	R63 297 480	G	Heat exchanger		1					W275136GA0		C
202	R61 299 480	G	Heat exchanger			1				W275136GA1		C
203	R61 301 480	G	Heat exchanger				1			W275136GA5		C
204	R63 R22 401	G	Linear expansion valve	EDM8 XH	1	1				P632410X02		C
205	R63 R23 401	G	Linear expansion valve	EDMA XH			1			P632413X02		C
206	R63 358 203	G	Thermistor	(gas)	1	1	1			P425458X02		
207	R63 358 202	G	Thermistor	(liquid)	1	1	1			P425459X02		
208	R61 040 529	G	Drain pan		1	1	1			W122290G37		C
209	R63 014 661	G	Bottom plate		1	1	1			W627491G10		C
210	R63 015 661	G	Bottom plate A		1	1	1			W628696G13		C
211	R63 F85 326	G	Hanging metal fittings D		1	1	1			W398771H03		C
212	R63 F86 326	G	Hanging metal fittings D		2	2	2			W398771H04		
213	R63 H42 326	G	Hanging metal fittings D		1	1	1			W871827G01		C
214	R63 F90 457	G	Flange		1	1	1			W627459G06		
215	R63 S38 526	G	Drain hose set		1	1	1			W650735G02		
216	R63 8G1 122	G	Flare nut	(gas) Ø15.88(5/8)	1	1	1			BG12S826H01		C
217	R63 8G0 122	G	Flare nut	(liquid) Ø9.52(3/8)	1	1	1			Z211A143H06		C

PEFY-P200VMH-E
PEFY-P250VMH-E

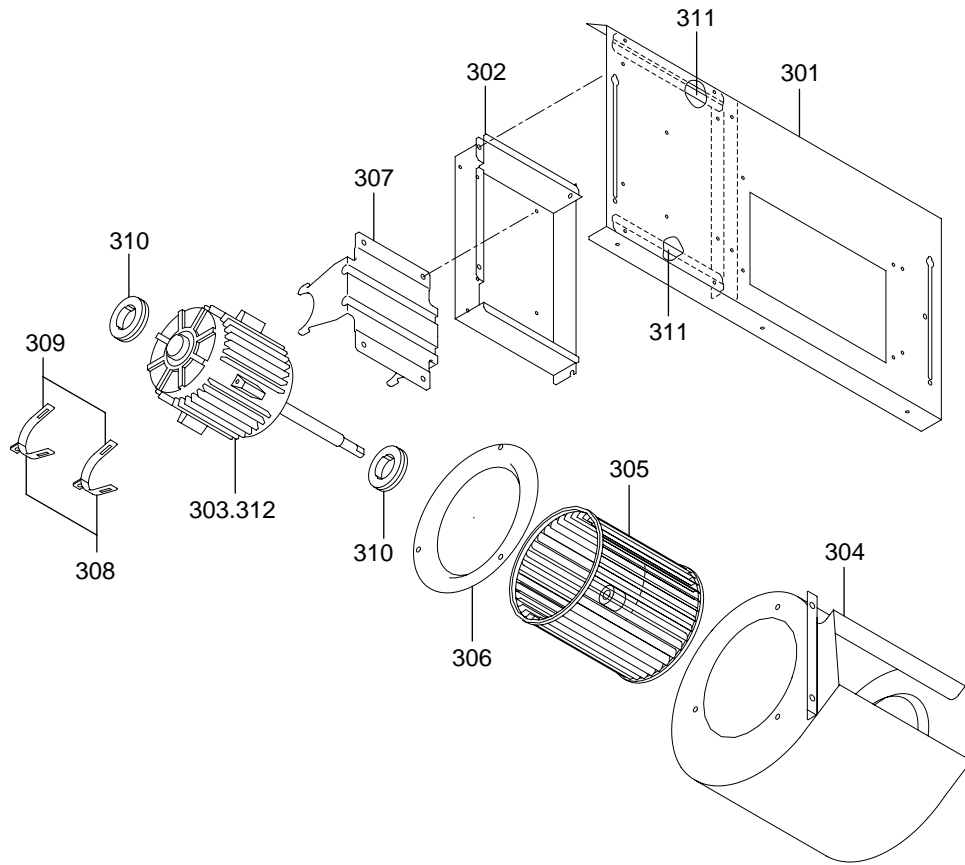
EXTERNAL PARTS (4)



No.	Part No.	G : RoHS Apply Only W : RoHS Apply by Running Change		Spec.	PEFY-P200VMH-E	PEFY-P250VMH-E				Dwg. No.	Price	Revision History
			Part Name									
251	R63 S45 480	G	Heat exchanger assy P224		1					W268110G16		
252	R61 300 480	G	Heat exchanger assy P280			1				W268110G29		C
253	R63 R22 401	G	Linear expansion valve	EDM8 XH<LEV>	2	2				P632410X02		C
254	R63 358 203	G	Thermistor		1	1				P425458X02		
255	R63 358 202	G	Thermistor		1	1				P425459X02		
256	R63 048 529	G	Drain pan 224		1	1				W125114G18		C
257	R63 H42 661	G	Bottom plate assy 224		1	1				W627491G07		
258	R63 H43 661	G	Bottom plate A224 assy		1	1				W628696G10		
259	R63 F85 326	G	Hanging metal fittings D		1	1				W398771H03		
260	R63 F86 326	G	Hanging metal fittings D		2	2				W398771H04		
261	R63 H42 457	G	Flange assy		1	1				W630285G01		
262	R63 P53 525	G	Drain hose set		1	1				W650735G03		
263	R63 H42 326	G	Hanging metal fittings		1	1				W871827G01		

PEFY-P40VMH-E
 PEFY-P50VMH-E
 PEFY-P63VMH-E

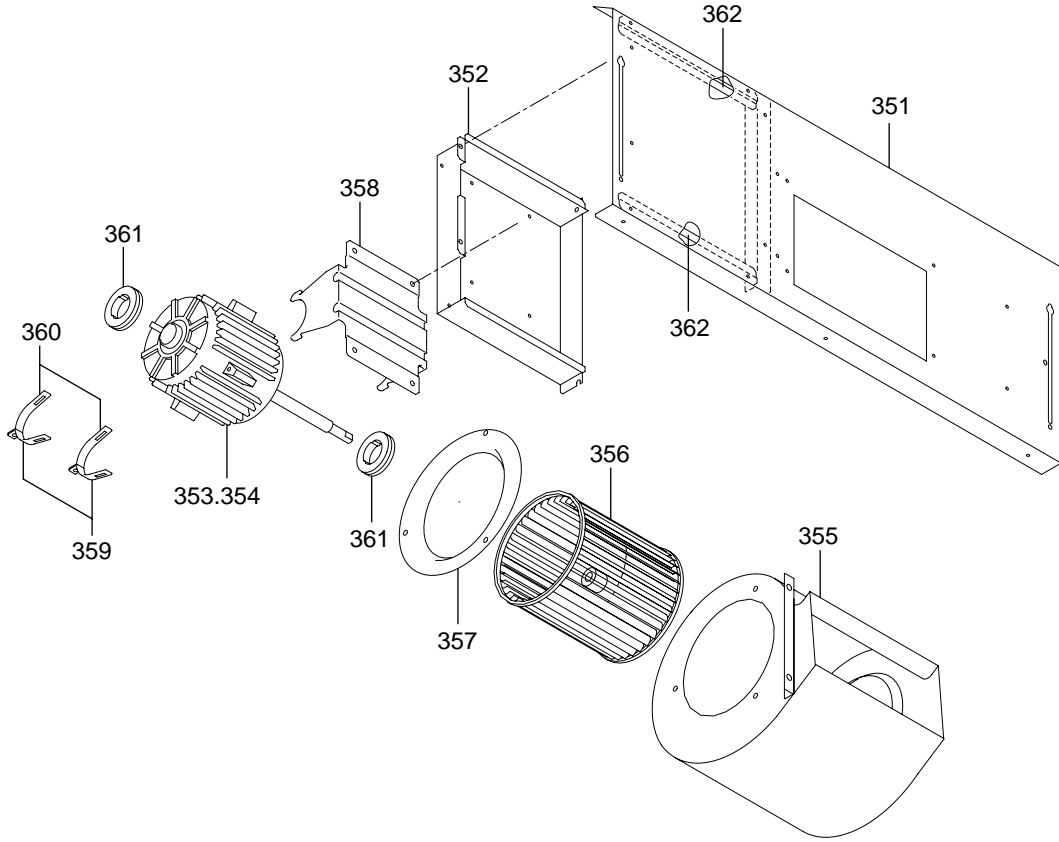
BLOWER PARTS (1)



No.	Part No.	G : RoHS Apply Only W : RoHS Apply by Running Change		Spec.	PEFY-P40VMH-E	PEFY-P50VMH-E	PEFY-P63VMH-E			Dwg. No.	Price	Revision History
			Part Name									
301	R61 008 140	G	Fan stand		1	1	1			W263051H04		C
302	R63 Y01 133	G	Motor stand		1	1	1			W881379G01		
303	R63 Y24 221	G	Motor P63H	180W,1Phase,220V,4P			1			P714693X02		
304	R63 F85 110	G	Fan casing		1	1	1			W122291G04		
305	R63 F85 114	G	Sirocco fan		1	1	1			W122292G03		
306	R63 F85 119	G	Bell mouth		1	1	1			W866104H01		
307	R63 772 130	G	Leg		1	1	1			R302G131H07		C
308	R63 507 131	G	Fixing plate		2	2	2			R302F328H09		C
309	R63 507 132	G	Fixing plate (with the nut)		2	2	2			R302F328G84		C
310	R63 755 104	G	Rubber bush		2	2	2			R331F676H01		C
311	R63 F85 573	G	Guide 71		2	2	2			W866123H01		
312	R63 Y27 221	G	Motor P40H	130W,1Phase,220V,4P	1	1				P714692X02		

PEFY-P71VMH-E
PEFY-P80VMH-E

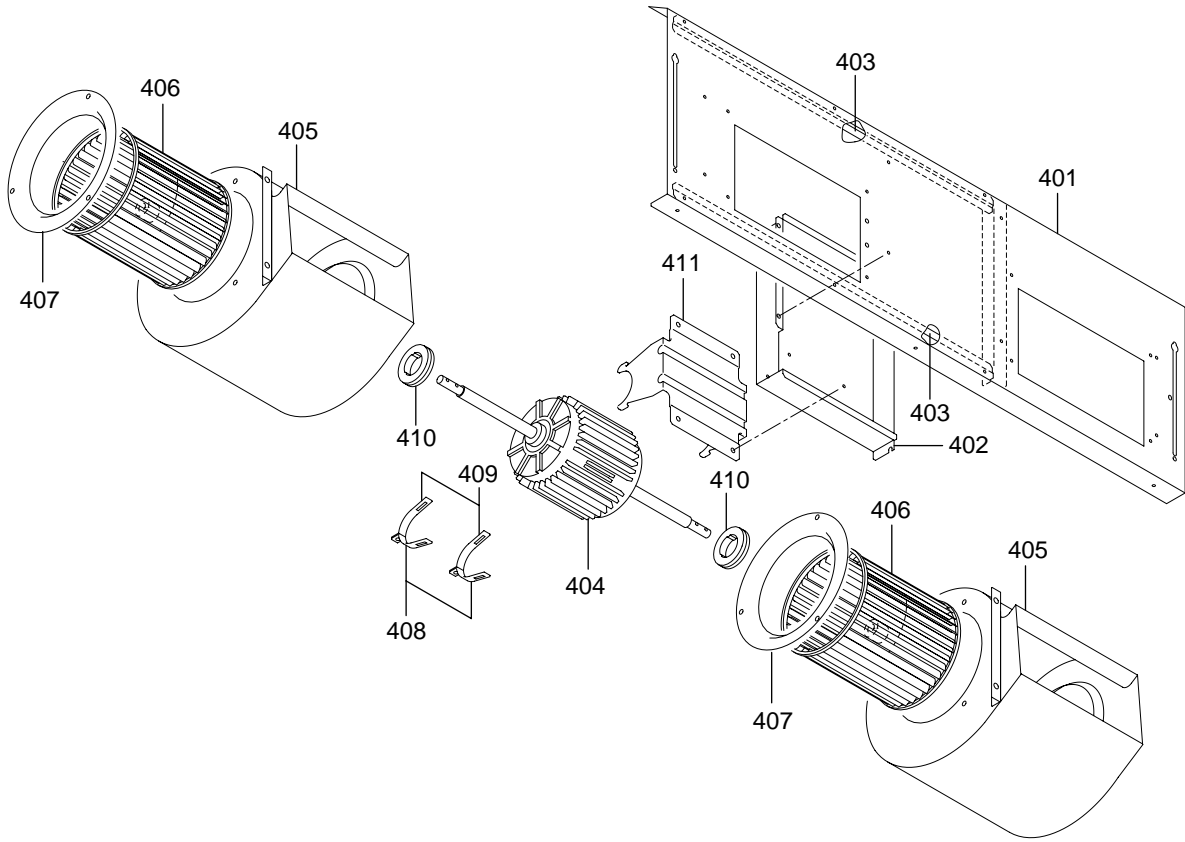
BLOWER PARTS (2)



No.	Part No.	G : RoHS Apply Only W : RoHS Apply by Running Change		Spec.	PEFY-P71VMH-E	PEFY-P80VMH-E					Dwg. No.	Price	Revision History
			Part Name										
351	R61 009 140	G	Fan stand		1	1					W263052H05		C
352	R63 Y02 133	G	Motor stand		1	1					W881380G01		
353	R63 Y25 221	G	Motor P71H	220W,1Phase,220V,4P	1						P714694X02		
354	R63 Y26 221	G	Motor P80H	230W,1Phase,220V,4P		1					P714695X02		
355	R63 F85 110	G	Fancasing		1	1					W122291G04		
356	R63 F85 114	G	Sirocco fan		1	1					W122292G03		
357	R63 F85 119	G	Bell mouth		1	1					W866104H01		
358	R63 772 130	G	Leg		1	1					R302G131H07		C
359	R63 507 131	G	Fixing plate		2	2					R302F328H09		C
360	R63 507 132	G	Fixing plate (with the nut)		2	2					R302F328G84		C
361	R63 755 104	G	Rubber bush		2	2					R331F676H01		C
362	R63 F88 573	G	Guide 80	P40H	2	2					W866123H02		

PEFY-P100VMH-E
 PEFY-P125VMH-E
 PEFY-P140VMH-E

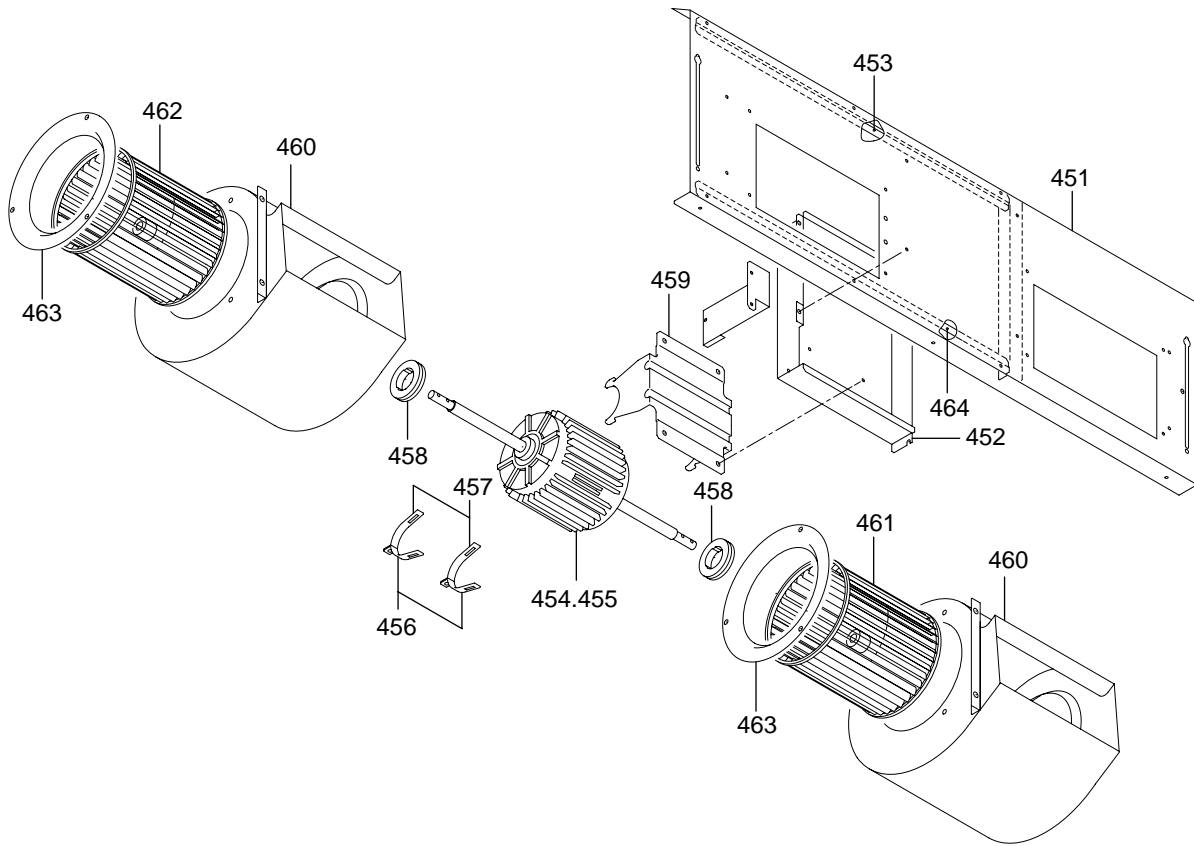
BLOWER PARTS (3)



No.	Part No.	G : RoHS Apply Only W : RoHS Apply by Running Change		Spec.	PEFY-P100VMH-E	PEFY-P125VMH-E	PEFY-P140VMH-E			Dwg. No.	Price	Revision History
			Part Name									
401	R61 010 140	G	Fan stand		1	1	1			W263037H05		C
402	R63 Y02 133	G	Motor stand		1	1	1			W881380G01		
403	R63 F90 573	G	Guide		2	2	2			W866123H03		
404	R63 Y28 221	G	Motor P100H	400W,1Phase,220V,4P	1	1	1			P714696X02		
405	R63 F85 110	G	Fan casing		2	2	2			W122291G04		
406	R63 F85 114	G	Sirocco fan		2	2	2			W122292G03		
407	R63 F85 119	G	Bell mouth		2	2	2			W866104H01		
408	R61 002 136	G	Fixing plate		2	2	2			R302K338H02		C
409	R61 001 136	G	Fixing plate (with the nut)		2	2	2			R302K338G82		C
410	R63 Y01 104	G	Rubber bush		2	2	2			W860050H02		
411	R61 015 130	G	Leg		1	1	1			R302L922H02		C

PEFY-P200VMH-E
PEFY-P250VMH-E

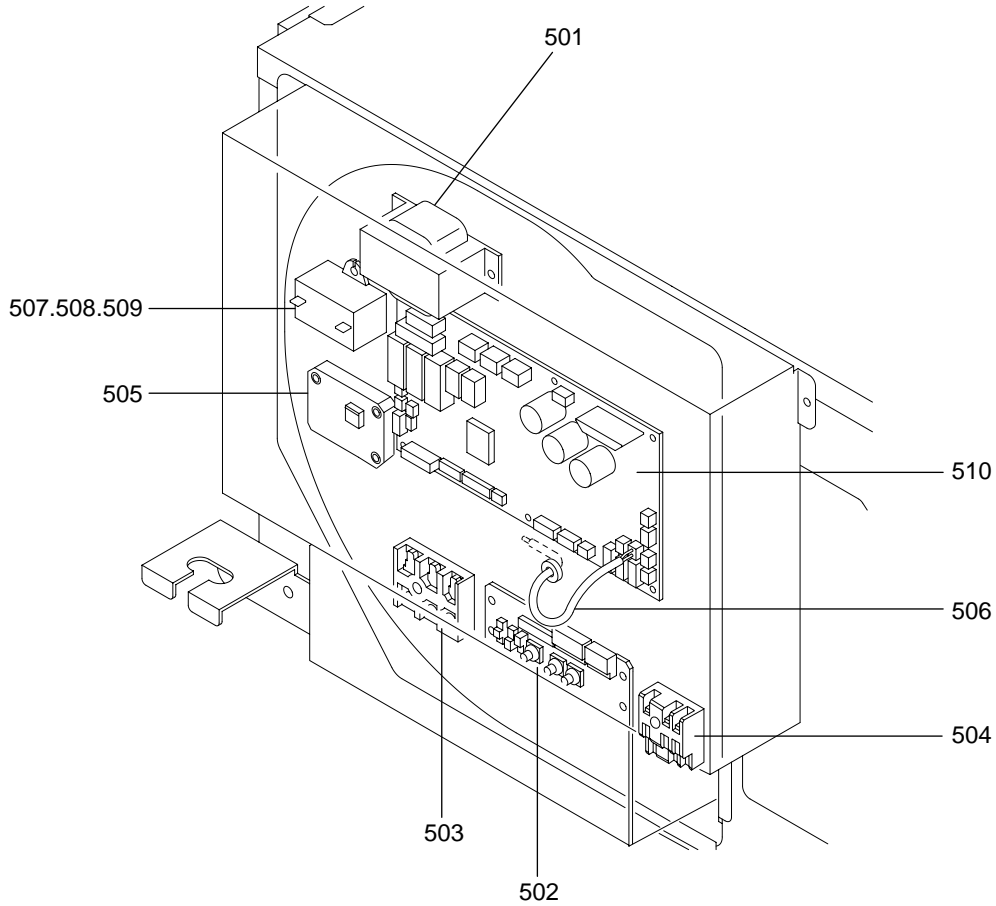
BLOWER PARTS (4)



No.	Part No.	G : RoHS Apply Only W : RoHS Apply by Running Change		Spec.	PEFY-P200VMH-E	PEFY-P250VMH-E				Dwg. No.	Price	Revision History
			Part Name									
451	R63 013 140	G	Fan stand		1	1				W631853G05		C
452	R63 Y03 133	G	Motor stand		1	1				W881378G01		
453	R63 H42 573	G	Guide		1	1				W866123H04		
454	R63 Y29 221	G	Motor	550W,3Phase,380V,4P	1					P714679X01		
455	R63 Y30 221	G	Motor	800W,3Phase,380V,4P		1				P714680X01		
456	R61 002 136	G	Fixing plate		2	2				R302K338H02		C
457	R61 001 136	G	Fixing plate (with the nut)		2	2				R302K338G82		C
458	R63 Y01 104	G	Rubber bush		2	2				W860050H02		
459	R61 015 130	G	Leg		1	1				R302L922H02		C
460	R63 H20 110	G	Fan casing		2	2				W264318G01		
461	R63 311 114	G	Sirocco fan assy		1	1				R300C723G85		C
462	R63 311 115	G	Sirocco fan assy	P40H	1	1				R300C723G86		C
463	R63 249 119	G	Bell mouth		2	2				R302F474H03		C
464	R63 H43 573	G	Guide		1	1				W866123H05		

PEFY-P40VMH-E
PEFY-P50VMH-E
PEFY-P63VMH-E
PEFY-P71VMH-E

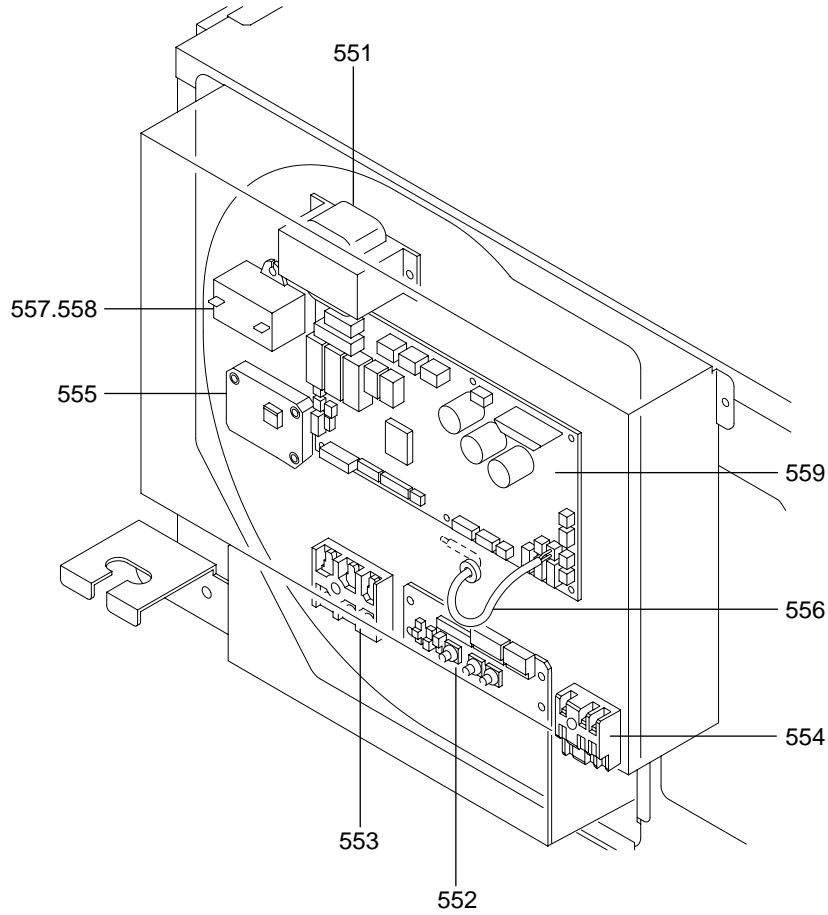
CONTROL BOX PARTS (1)



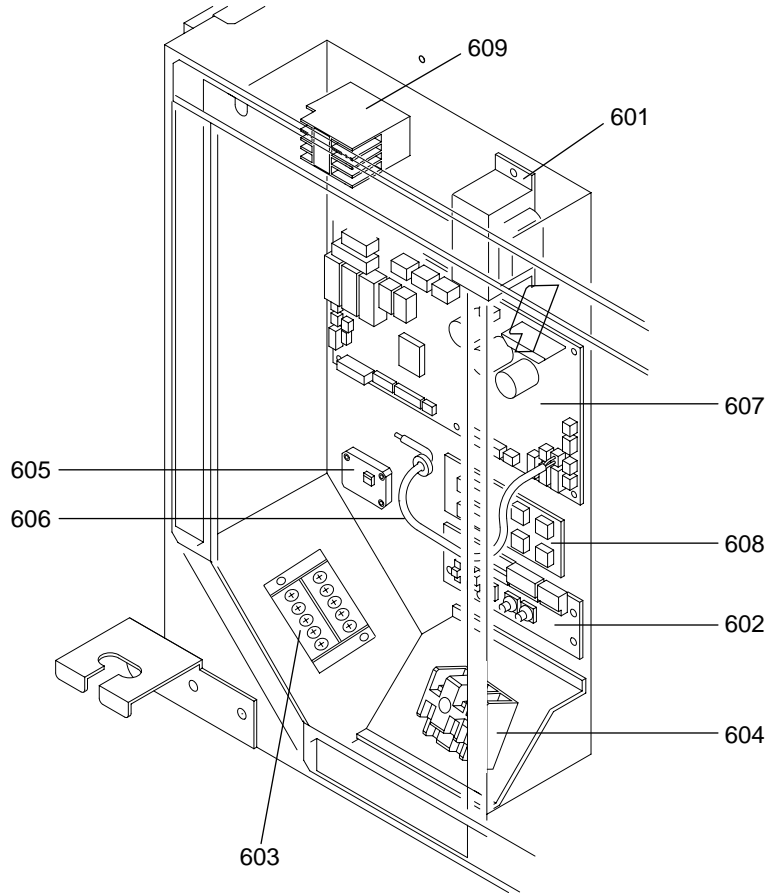
No.	Part No.	G : RoHS Apply Only W : RoHS Apply by Running Change		Spec.	PEFY-P40VMH-E PEFY-P50VMH-E PEFY-P63VMH-E PEFY-P71VMH-E				Dwg. No.	Price	Revision History
		Part Name									
501	R63 007 260	G	Transformer	240/23.5V-0.9A VH	1	1	1	1	P715414X01		C
502	R63 Y37 281	G	Board assy AD		1	1	1	1	W849036G09		
503	R63 Y08 715	G	Terminal block	<TB2>	1	1	1	1	P436239X01		C
504	R63 336 246	G	Terminal block	<TB5>,<TB15>	1	1	1	1	P436114X03		
505	R63 Y22 280	G	Board assy FP-DSA		1	1	1	1	W849072G13		
506	R63 373 202	G	Thermistor	(inlet)	1	1	1	1	P418059X01		C
507	R63 E65 252	G	Capacitor 3μF	440AC	1	1			P412204X01		
508	R63 Y08 252	G	Capacitor 4μF				1		P412209X01		
509	R63 F79 252	G	Capacitor 5μF				1		P412214X01		
510	R63 Y36 281	G	Board assy RY		1	1	1	1	W849072G06		

PEFY-P80VMH-E
 PEFY-P100VMH-E
 PEFY-P125VMH-E
 PEFY-P140VMH-E

CONTROL BOX PARTS (2)



No.	Part No.	G : RoHS Apply Only W : RoHS Apply by Running Change		Spec.					Dwg. No.	Price	Revision History
		Part Name			PEFY-P80VMH-E	PEFY-P100VMH-E	PEFY-P125VMH-E	PEFY-P140VMH-E			
551	R63 007 260	G	Transformer	240/23.5V-0.9A VH	1	1	1	1	P715414X01		C
552	R63 Y37 281	G	Board assy AD		1	1	1	1	W849036G09		
553	R63 Y08 715	G	Terminal block	<TB2>	1	1	1	1	P436239X01		C
554	R63 336 246	G	Terminal block	<TB5>,<TB15>	1	1	1	1	P436114X03		
555	R63 Y22 280	G	Board assy FP-DSA		1	1	1	1	W849072G13		
556	R63 373 202	G	Thermistor	(inlet)	1	1	1	1	P418059X01		C
557	R63 F79 252	G	Capacitor 5μF		1				P412214X01		
558	R63 Y16 252	G	Capacitor 7μF			1	1	1	P412217X01		
559	R63 Y36 281	G	Board assy RY		1	1	1	1	W849072G06		



No.	Part No.	G : RoHS Apply Only W : RoHS Apply by Running Change		Spec.	PEFY-P200VMH-E	PEFY-P250VMH-E				Dwg. No.	Price	Revision History
			Part Name									
601	R63 007 260	G	Transformer	240/23.5V-0.9A VH	1	1				P715414X01		C
602	R63 Y37 281	G	Board assy AD		1	1				W849036G09		
603	R63 Y05 246	G	Terminal block	LVD	1	1				P436151X01		
604	R63 336 246	G	Terminal block	LVD	1	1				P436114X03		
605	R63 Y22 280	G	Board assy FP-DSA		1	1				W849072G13		
606	R63 373 202	G	Thermistor	(inlet)	1	1				P418059X01		C
607	R63 Y36 281	G	Board assy RY		1	1				W849072G06		
608	R63 350 280	G	LEV adaptor board assy		1	1				W601714G02		
609	R63 Y33 225	G	Solenoid switch	MSO-N11AR	1	1				S427025H13		

